

FLAGSTONE

AUSTRALIA

The Flagstone Heritage

Reconstituted stonework has been employed by architects and landscape designers for well over two hundred years. Its early history is distinguished with fine examples of craftsmanship still seen in the great buildings of history.

Flagstone was established in the late eighties with the aim of creating products to assist today's architects, landscape designers and homeowners to add beauty, style and versatility to their own projects.

Flagstone are a cast stone product, manufactured using a combination of blended sands, granulated stone, colour pigments and bonding agents. The nature of this material enables products to be moulded into virtually any shape providing the design freedom to produce a modern contemporary landmark or to reproduce a classic look of centuries past. Flagstone products are manufactured to give the appearance and maturing character of natural stone. Alternatively surface sealers and stains can be used on the product to enhance the colour-fastness and appearance and protect the product.

Over the years Flagstone has created and matched over 100 colour variations. Four of the most appealing and popular of these colours have been retained as our standard range.

Stonhill
Portsea
Woomera Sandstone
Bluestone

Factory and Display
1/71 Brunel Road
Seaford Victoria 3198

Phone (03) 9785 1516
Mobile 0419598118
sales@flagstone.net.au
www.flagstone.net.au



Pavers

	Price Per Unit	Units Per Mtr (approx)	Price Per Mtr
--	-------------------	------------------------------	------------------

Noggler Pavers - Wet Cast Paver			
375x375x40	\$7.90	7.1	\$56.00
400x400x40	\$9.00	6.3	\$56.00
400x400x40 BN	\$20.00	2.5 LM	\$50.00
500x500x40	\$14.00	4.0	\$56.00
500x350x40 BN	\$20.00	2.0 LM	\$40.00

Flagstone - 40mm Series			
400x400x40	\$16.00	6.3	\$100.00
500x500x40	\$25.00	4.0	\$100.00

Flagstone - 500 Series			
250x250x50	\$7.50	16.0	\$120.00
250x500x50	\$15.00	8.0	\$120.00
500x500x50	\$30.00	4.0	\$120.00
500x1000x50	\$120.00	2.0	\$240.00

Flagstone - 600 Series			
300x300x50	\$10.80	11.1	\$120.00
300x600x50	\$21.75	5.5	\$120.00
600x600x50	\$42.80	2.8	\$120.00
600x900x50	\$67.00	1.8	\$120.00
900x900x50	\$200.00	1.2	\$240.00

Flagstone - 1000 Series			
195x1000x50	\$23.50	5.1	\$120.00
300x1000x50	\$36.36	3.3	\$120.00
500x1000x50	\$120.00	2.0	\$240.00

Flagstone - Other			
450x450x45	\$24.50	4.9	\$120.00
225x900x45	\$24.50	4.9	\$120.00
450x900x45	\$96.00	2.5	\$240.00
405x790x50	\$78.00	3.1	\$240.90

Delivery	Melb Metro (from)	\$150.00
----------	-------------------	----------

All prices are GST inclusive
 Additional sizes and moulding service available
 All handmade product some product imperfections may occur



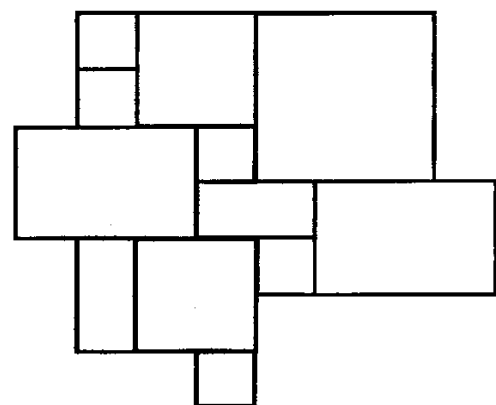
Pavers

Flagstone manufactures a large selection of sizes. This is done for flexibility in design and convenience of laying.

A number of sizes can be combined to create random patterns, such as the 'Autumn Blend' comprising four popular sandstone type colours in up to 5 sizes. This mix creates a stunning timeless look, that is especially effective in large areas when laid in the multiples of 300mm pavers.

Flagstone can also manufacture custom sized pavers.

15 sizes with some available in different thicknesses.



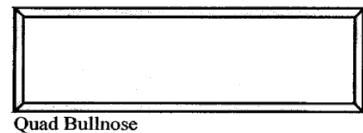
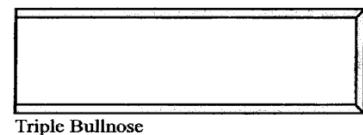
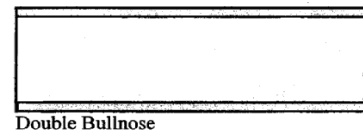
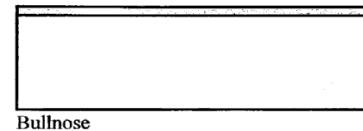
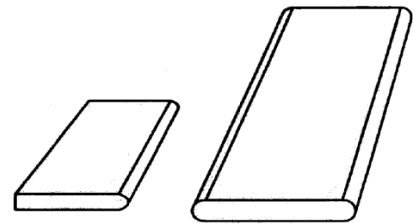
Bullnose and Square Edge Treads & Copers

		Price Per Unit
--	--	-------------------

Straight Bullnose Series		
150x1000x50 BN or SqE		\$75.00
200x1000x50 BN or SqE		\$75.00
250x1000x50 BN or SqE		\$75.00
325x1000x50 BN or SqE		\$75.00
360x1000x50 BN or SqE		\$75.00
400x1000x50 BN or SqE		\$75.00
450x1000x50 BN or SqE		\$75.00
325x1200x50 BN		\$75.00
360x1200x50 BN		\$75.00
625x900x50 BN		\$75.00
500x500x50 BN		\$30.00
300x300x35 BN		\$15.00

Overhang Bullnose Series		
300x1000x70/40	Classic	\$125.00
365x1000x75/40	Classic	\$125.00
540x1000x50	Federation	\$125.00

Corner Bullnose Series (all to suit 325 BN)		
Internal Curved BN		\$75.00
Internal Right Angle		\$75.00
External Curved BN		\$75.00
External Right Angle		\$75.00
Overhang Internal Curved BN		\$75.00



Curved Bullnose

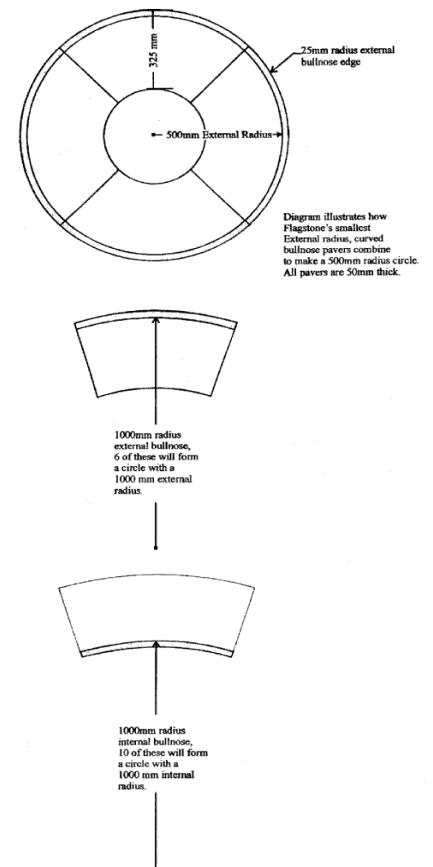
	Price Per Unit
--	-------------------

Curved Internal Bullnose Series (all to suit 325 BN)	
500mm internal radius (6 units*)	\$75.00
700mm internal radius (8 units*)	\$75.00
1000mm internal radius (10 units*)	\$75.00
1500mm internal radius (12 units*)	\$75.00
2000mm internal radius (16 units*)	\$75.00
2675mm internal radius (18 units*)	\$75.00
4500mm internal radius (28 units*)	\$75.00

Curved External Bullnose Series (all to suit 325 BN)	
500mm external radius (4 units*)	\$75.00
700mm external radius (6 units*)	\$75.00
1000mm external radius (6 units*)	\$75.00
1250mm external radius (8 units*)	\$75.00
1500mm external radius (10 units*)	\$75.00
1720mm external radius (10 units*)	\$75.00
2000mm external radius (14 units*)	\$75.00
3000mm external radius (18 units*)	\$75.00
5100mm external radius (32 units*)	\$75.00

Curved Double Bullnose	
4250 external radius x 250 (26 units*)	\$75.00
2200 external radius x 325 (14 units*)	\$75.00
2535 external radius x 325 (16 units*)	\$75.00
4200 external radius x 325 (26 units*)	\$75.00

* approx number to make a full circle



Special Bullnose

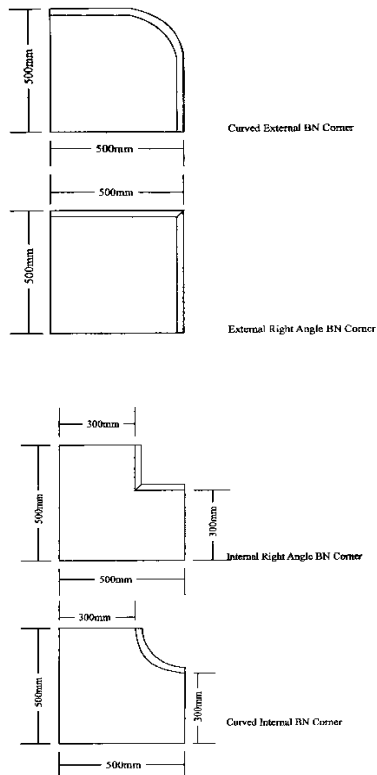
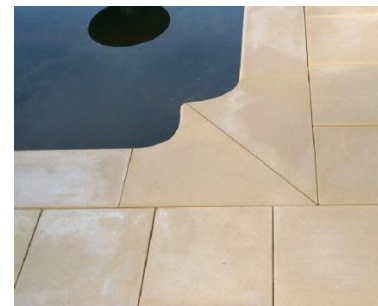
	Price Per Unit
--	-------------------

Double Sided Bullnose - Straight	
325x1000x50 DBN	\$75.00
250x1070x50 DBN	\$75.00
500x750x50 DBN	\$75.00
625x1000x50 DBN	\$75.00

Triple Sided Bullnose - Straight	
250x1100x50 TBN	\$75.00
360x1030x50 TBN	\$75.00
500x750x50 TBN	\$75.00

Four Sided Bullnose - Straight	
330x940x50 QBN	\$75.00
500x500x50 QBN	\$75.00

Four Sided Bullnose - Curved	
1450 Ext Rad x 250 wide	\$75.00



Architectural Pieces

		Price Per Unit
--	--	-------------------

Wall Capping

Single	135x1000	\$ 100.00
Double	270x1000	\$ 125.00

Pier Caps

Straight Edge

370x370	\$ 50.00
580x580	\$ 75.00
700x700	\$ 150.00

Curved Edge

370x370	\$ 50.00
500x500	\$ 75.00
660x660	\$ 150.00

Mouldings

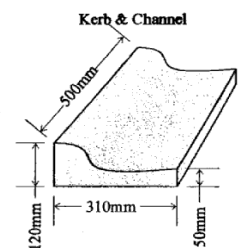
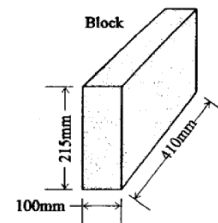
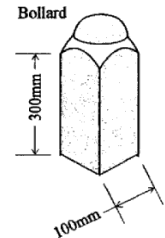
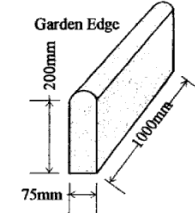
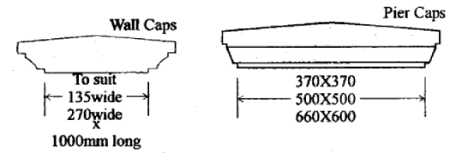
Straight	120x1000	\$ 25.00
Curved	Half arch	\$ 25.00

Garden Edging

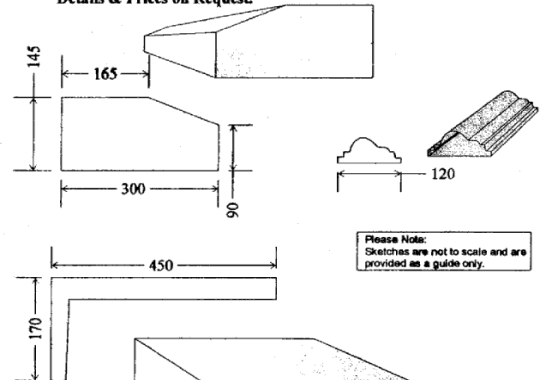
Classic Garden Edge	\$ 95.00
Bollard	\$ 25.00
Sill/Edge	\$ 50.00
Step/Edge 900x450x170	\$ 125.00

Letter Box

Base	\$ 100.00
Shaft - Low	\$ 100.00
Shaft - Tall	\$ 200.00
Blank	\$ 40.00
Cap	\$ 60.00
Complete - Low	\$ 300.00
Complete - Tall	\$ 400.00
Complete - Fence Post	\$ 400.00



Some of the other products available.
Details & Prices on Request.



Please Note:
Sketches are not to scale and are
provided as a guide only.

*If something your require is not on the list,
contact us, we may be able to help!*

Columns & Balustrades

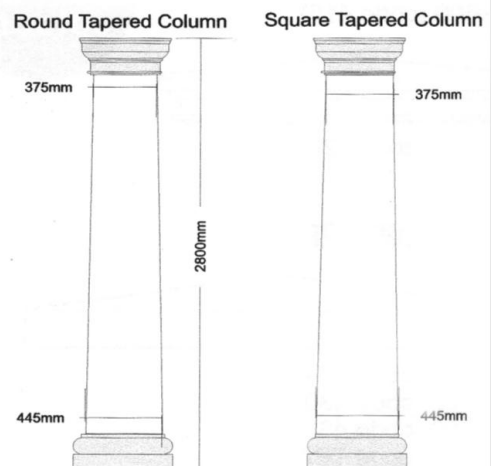
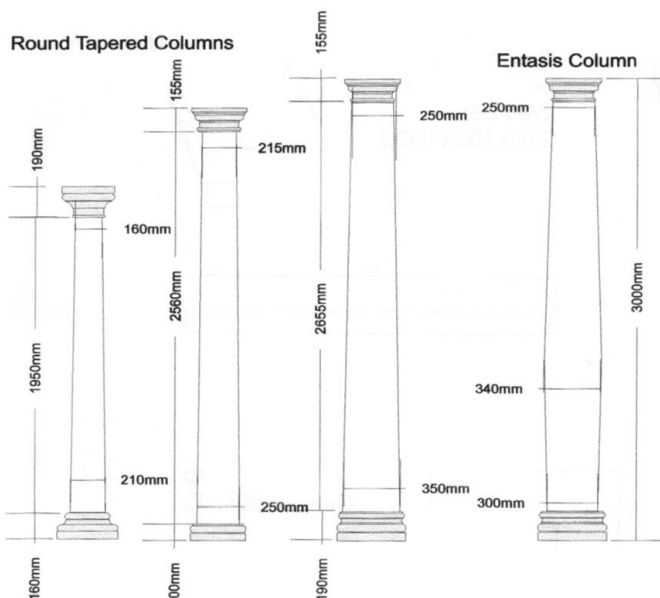
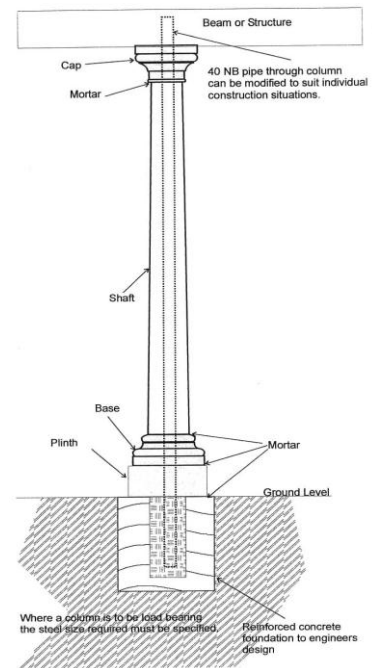
Price Per Unit

General Columns		
Small		\$ 250.00
Round Tapered	H:2.30m T:210 to 160mm	\$ 500.00
Round Tapered	H:2.82m T:250 to 215mm	\$ 700.00
Round Tapered	H:3.00m T:350 to 250mm	\$ 1,200.00

Special Columns		
Round Tapered	H:2.80m T:445 to 375mm	\$ 1,200.00
Square Tapered	H:2.80m T:445 to 375mm	\$ 1,200.00
Round Entasis	H:3.00m E:300 340 250mm	\$ 1,200.00
Round Tapered	H:3.48m T:350 to 250mm	\$ 1,500.00

Plinths		
200mm high	(400x400)	\$ 75.00
400mm high	(400x400)	\$ 75.00
200mm high	(470x470)	\$ 75.00
300mm high	(625x625)	\$ 100.00

Balustrades		
Tulip	500mm high	\$ 20.00
Plain	1000mm high	\$ 30.00
Rail	135x1000	\$ 75.00



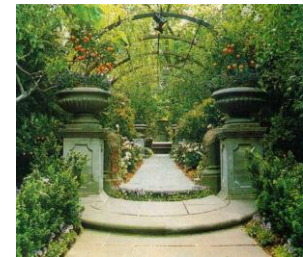
In The Garden

	Price Per Unit
--	-------------------

Urns		
Base		\$ 100.00
Shaft - Low		\$ 150.00
Shaft - Tall		\$ 250.00
Cap		\$ 75.00
Urn		\$ 225.00
Complete - Low	Height 835mm	\$ 550.00
Complete - Tall	Height 1285mm	\$ 650.00



Garden Seats	
Straight Seat	
Height 400mm, Width 425mm, Length 1190mm	\$ 250.00
Curved Seat	
Height 400mm, Width 425mm, Length 1150mm	\$ 250.00



Bird Bath	
Classic Design	\$ 250.00
Height 710mm, Width 890mm, Base 430mm	



Pond Surrounds/Retaining Wall	
Pond Surround Straight 450x500	\$ 150.00
Pond Surround Straight 330x1000	\$ 150.00
Pond Surround Curved	\$ 150.00
Pond Surround Ext. RA cnr.	\$ 150.00



Masks	
Lion Head - Large	\$ 75.00
Lion Head - Small	\$ 75.00
Titan Head	\$ 75.00

